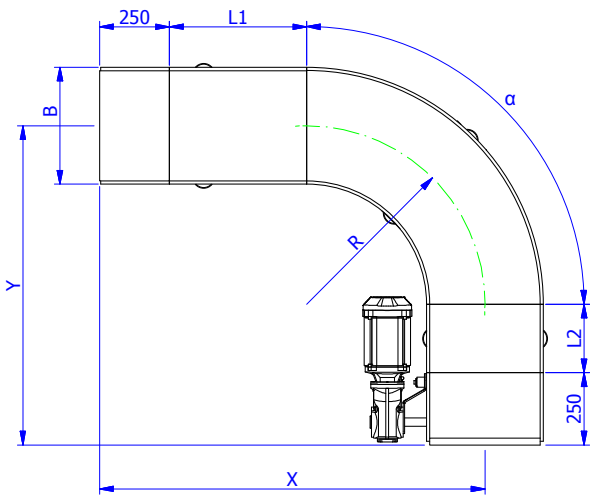
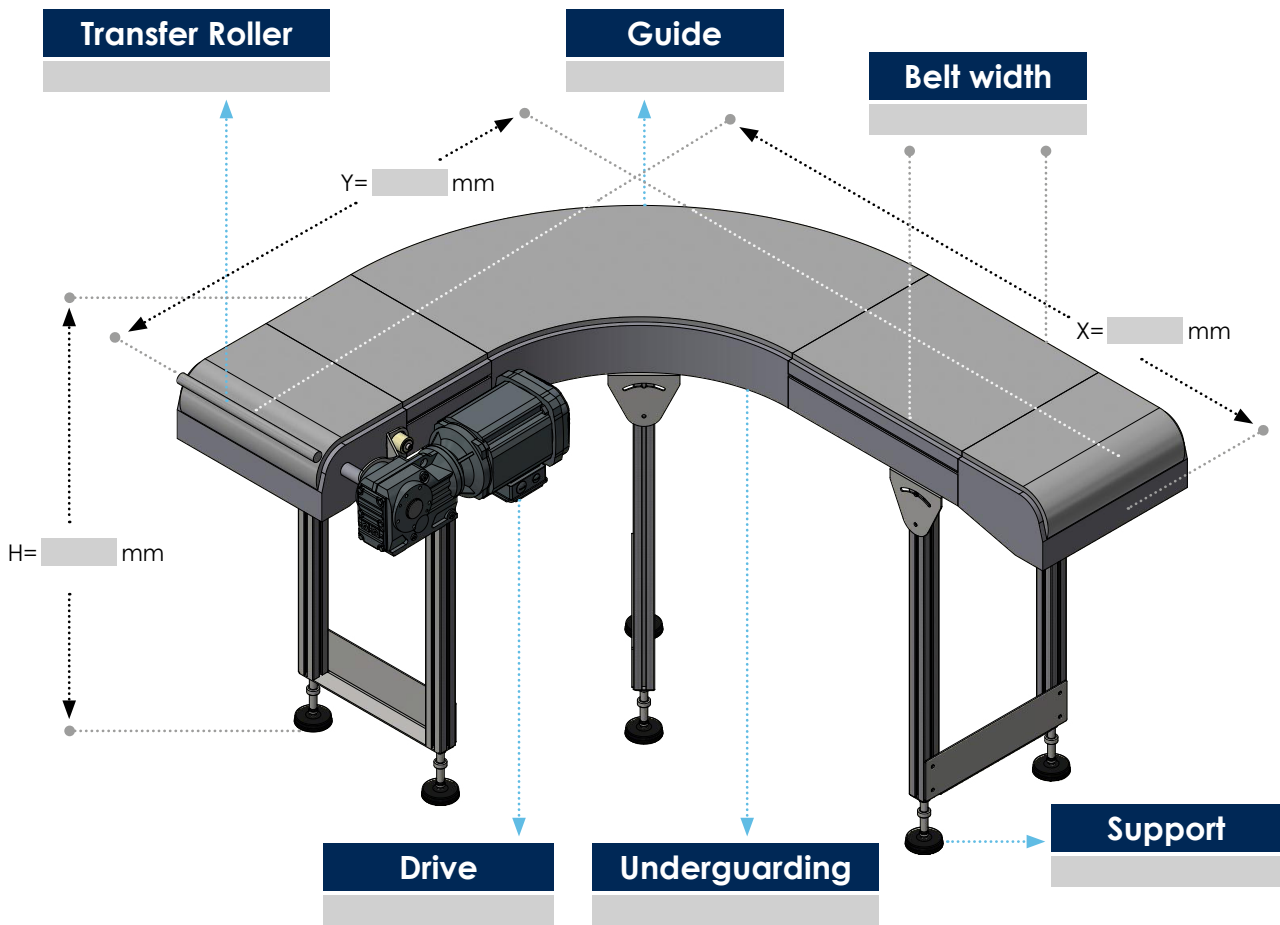


# PDC CURVE



	General	AFa300	AFa400	AFa600
Belt width B		300	400	600
Central radius R		650*	650	800
Frame width		326	426	626
Length Y		900 > 3000	900 > 3000	1150 > 3000
Length X		900 > 3000	900 > 3000	1150 > 3000
L1 & L2	$0 \wedge \geq 250$			
h, top of belt	$350 < h < 1500$			

\*) 650 mm standaard, R450 optioneel

All dimensions in mm