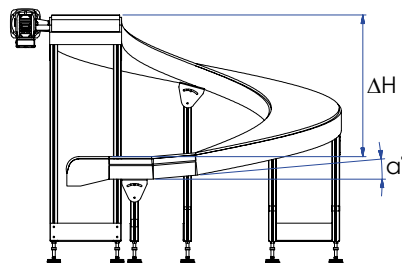
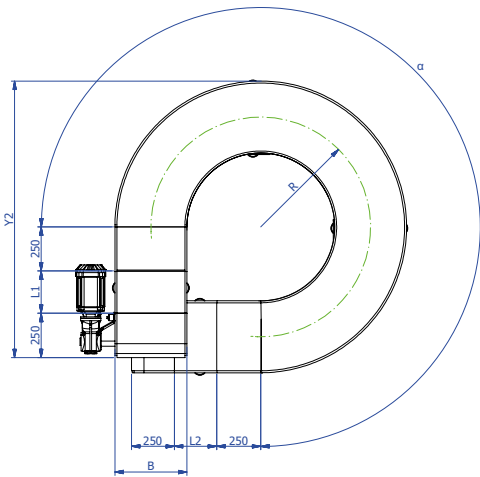
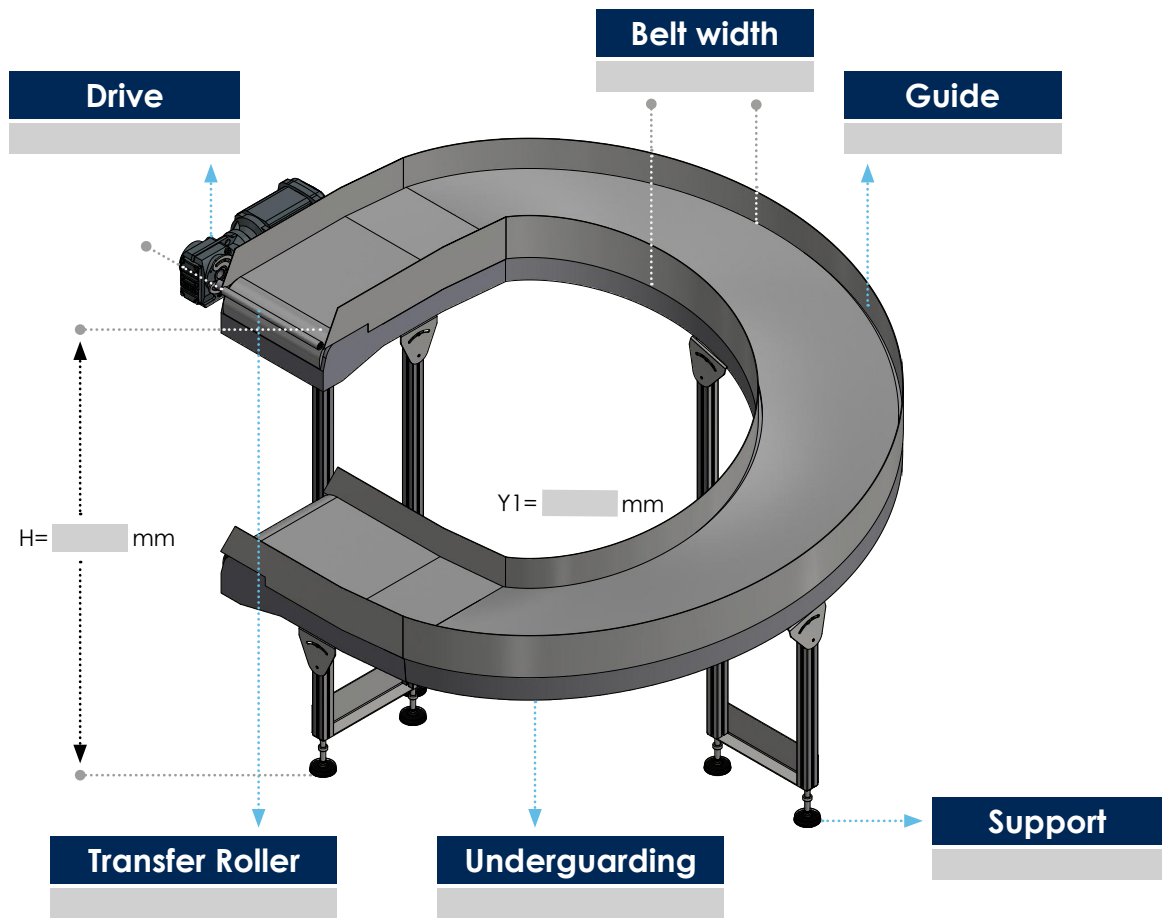


PDC HELIX



	General	AFa300	AFa400	AFa600
Belt width B		300	400	600
Central radius R		650*	650	800
Frame width		326	426	626
ΔH		300 > 1000	300 > 1000	300 > 1300
α°		$5^\circ > 15^\circ$	$5^\circ > 15^\circ$	$5^\circ > 15^\circ$
L1 & L2	$0 \wedge \geq 250$			
h, top of belt	$350 < h < 1500$			

*] 650 mm standaard, R450 optioneel

All dimensions in mm