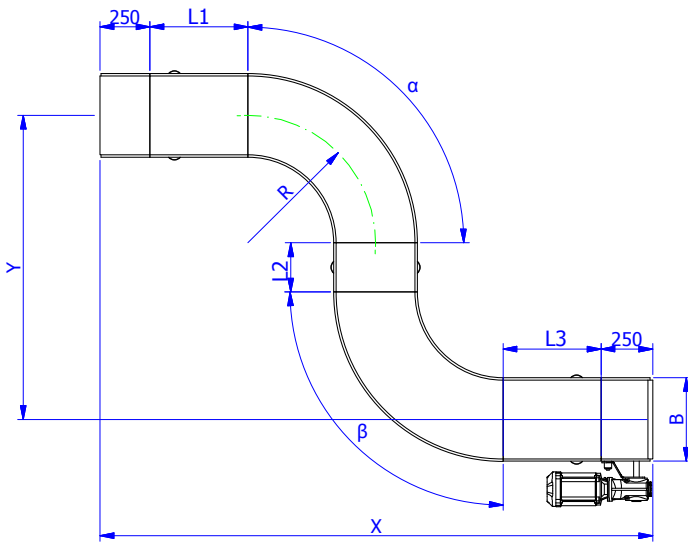
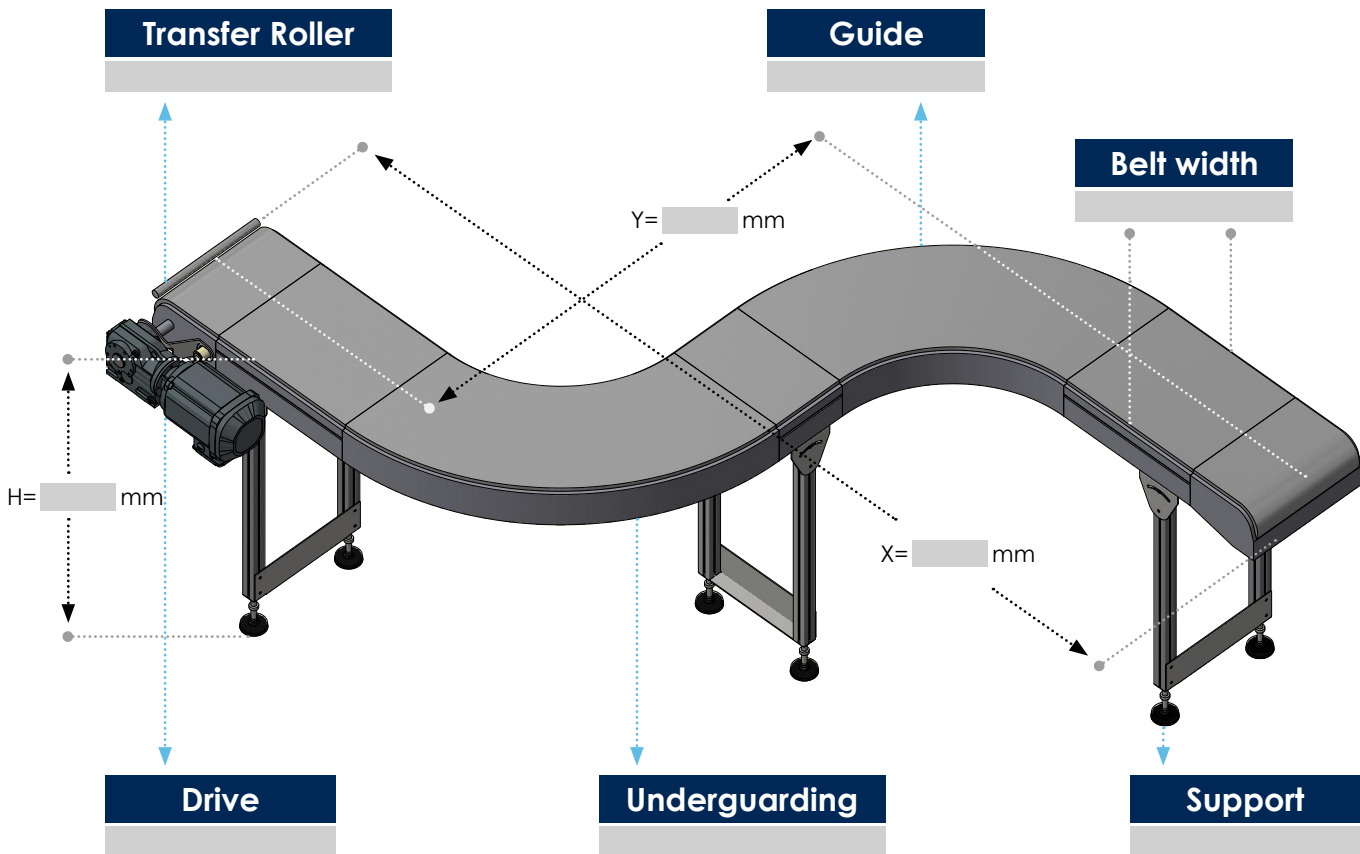


PDC S-CURVE



	General	AFa300	AFa400	AFa600
Belt width B		300	400	600
Central radius R		650*	650	800
Frame width		326	426	626
Length Y		1300 > 5000	1300 > 5000	1600 > 5000
Length X		1800 > 5000	1800 > 5000	2100 > 5000
L1 & L2 & L3	$0 \wedge \geq 250$			
h, top of belt	$350 < h < 1500$			

*) 650 mm standaard, R450 optioneel

All dimensions in mm