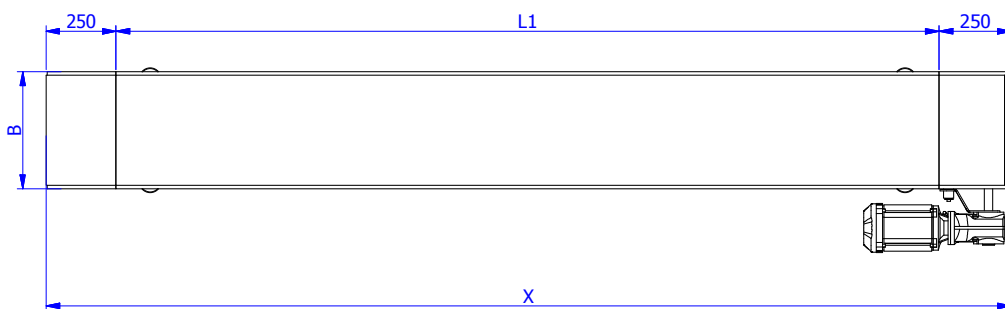
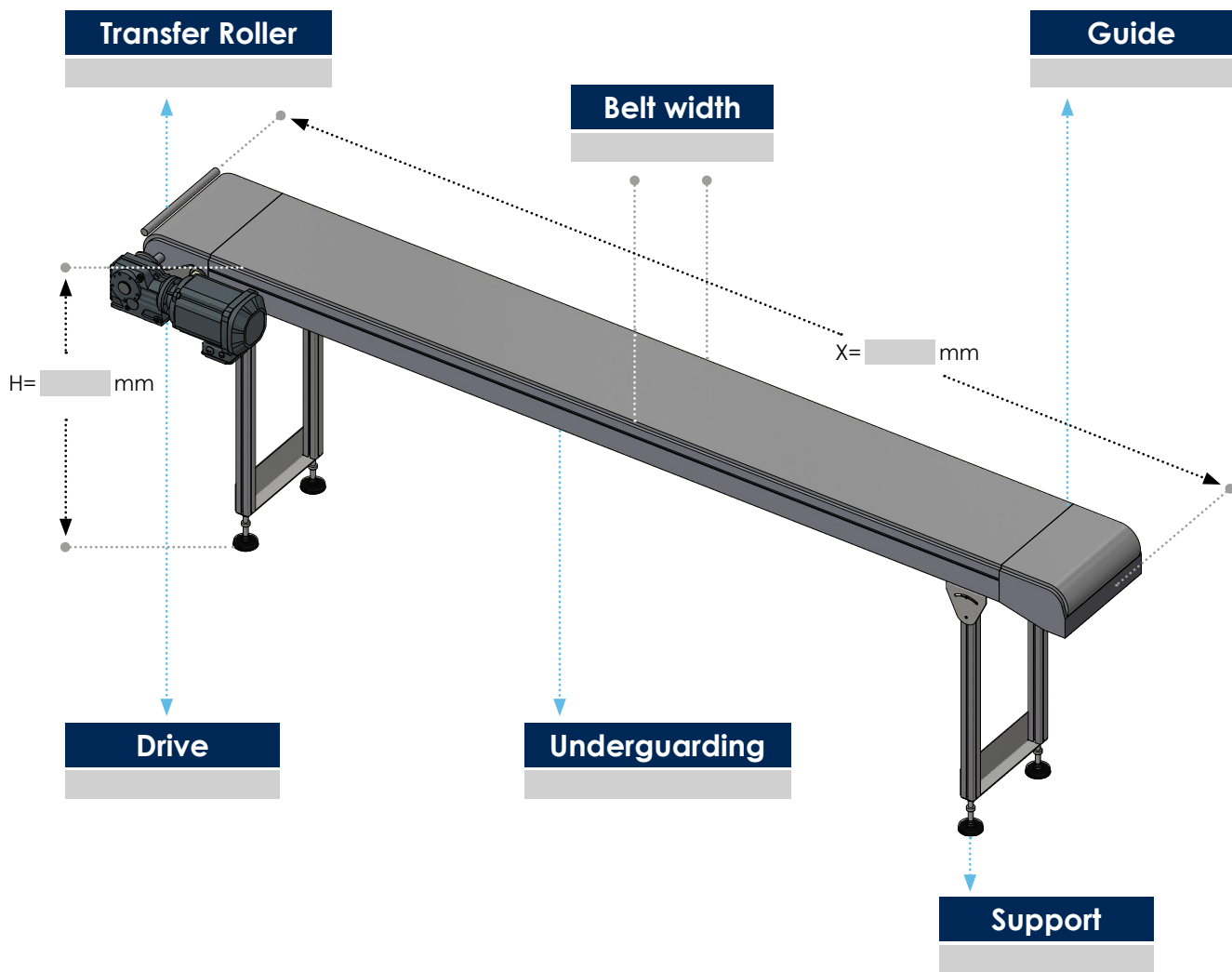


# PDC STRAIGHT



	General	AFa300	AFa400	AFa600
Belt width B		300	400	600
Frame width		326	426	626
Length X		750 > 6000	750 > 6000	750 > 6000
L1	$\geq 250$	$= x - 500$	$= x - 500$	$= x - 500$
h, top of belt	$350 < h < 1500$			

All dimensions in mm