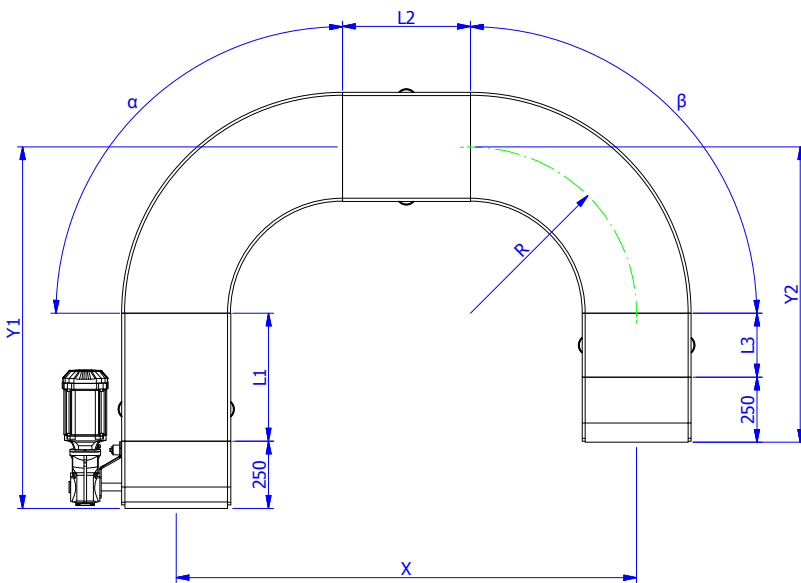
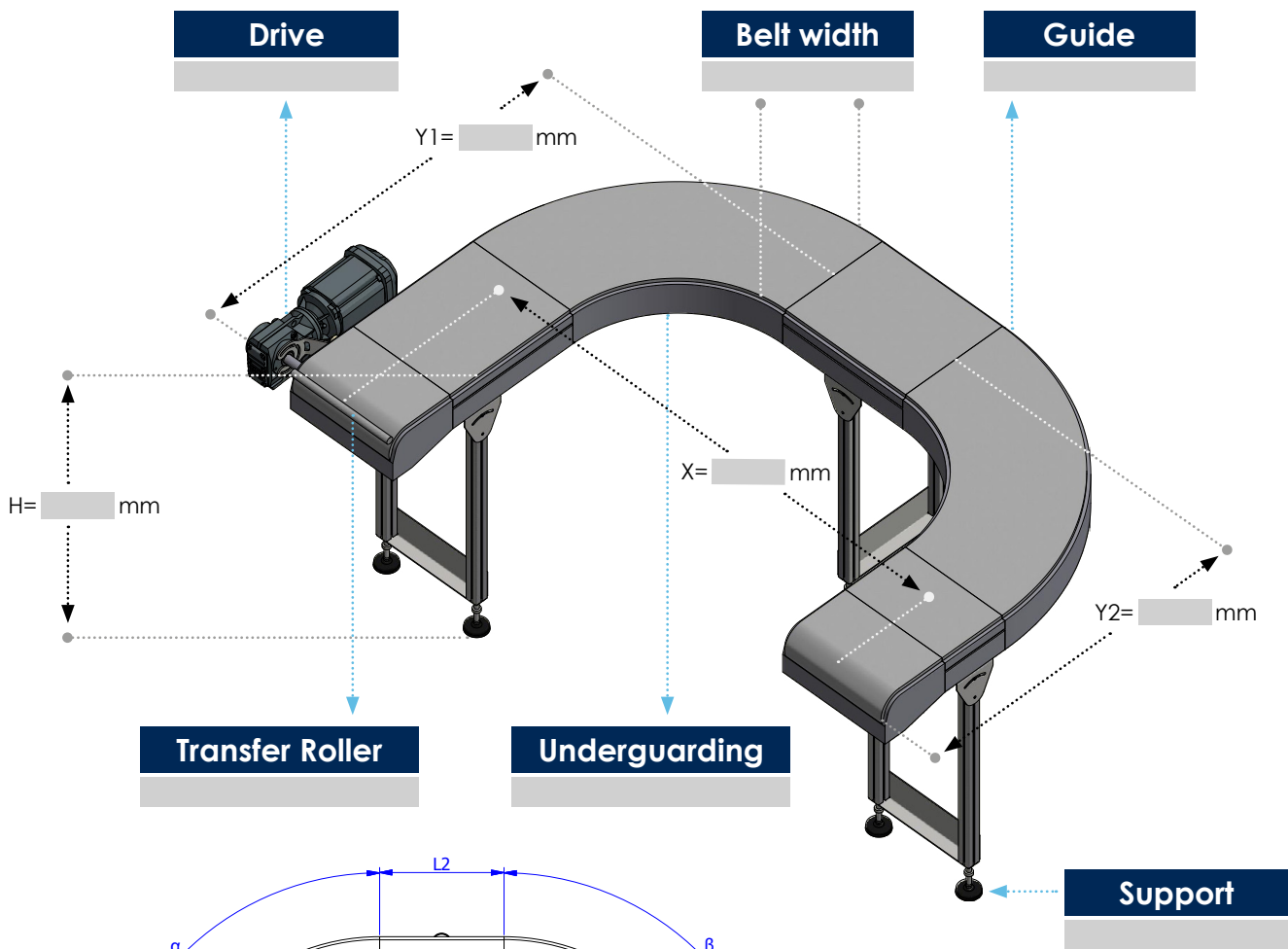


PDC U-SHAPE



	General	AFa300	AFa400	AFa600
Belt width B		300	400	600
Central radius R		650*	650	800
Frame width		326	426	626
Length Y1 / Y2		900 > 3000	900 > 3000	1050 > 3000
Length X		1300 > 3000	1300 > 3000	1600 > 3000
L1 & L2 & L3	$0 \wedge \geq 250$			
h, top of belt	$350 < h < 1500$			

*) 650 mm standaard, R450 optioneel

All dimensions in mm